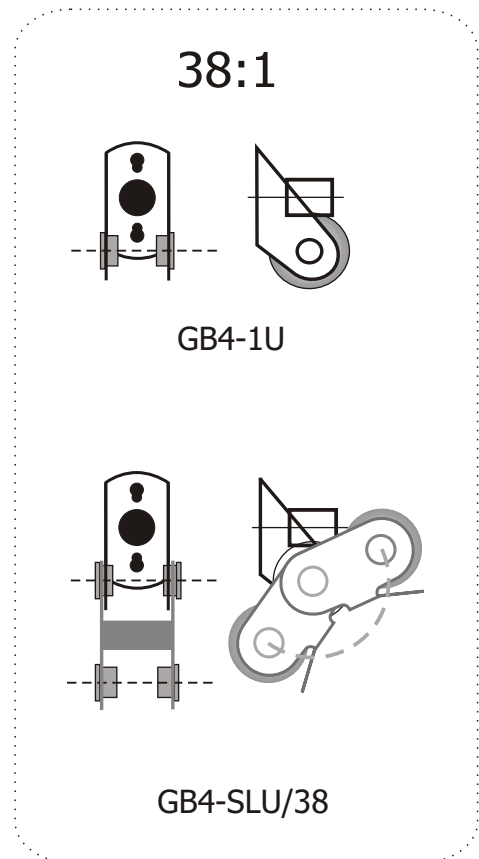
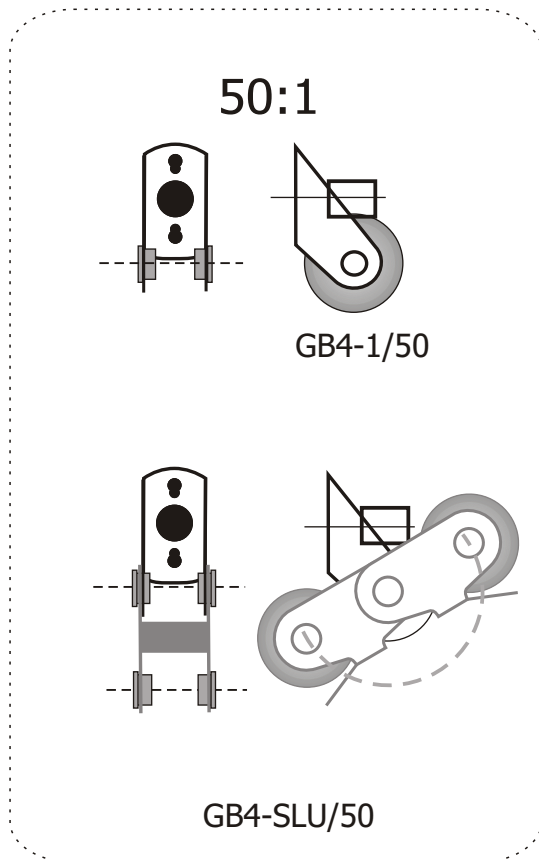


LONDON ROAD MODELS

Motor Mount Outlines

All motor mounts are 8.4 mm wide (8.9 mm across bearing flanges). Swinglink extensions are 10.4 mm wide (10.9mm across bearing flanges) and fit "outside" the mounts. These dimensions apply to the latest design of LRM mounts, identified by the "figure of 8" motor screw holes.



These motor mounts (as opposed to gearboxes) are designed to accept Mashima 10XX, 12XX, 14XX or 16XX 12volt motors. The 10, 12 and 14 series motors are flat sided cans, the designation denoting the width of the motor over the flat sides. The 16 series uses a round can, 16mm diameter.

All these Mashima motors have double ended shafts, 1.5mm diameter for the 10 and 12 series, 2.0mm diameter for the 14 and 16 versions.

The worm gear is machined from steel, while the other gears are brass. All are retained on the shaft or axle by a grub screw. The Swinglink motor mounts include a layshaft and additional "reverse helix" final drive gear. A tab on the swinglink provides a locating hole for a wire torsion link to be attached to the loco frame, if required.